

▶ YOUR RELIABLE PARTNER



SITEX D1802

Portable X-Ray Generators



TELEDYNE ICM
Everywhereyoulook™

Part of the Teledyne Imaging Group

Quality, Performance, Ruggedness



DIRECTIONAL,
PANORAMIC &
CRAWLER



IP 65



50 TO 360 KV



RUGGEDIZED



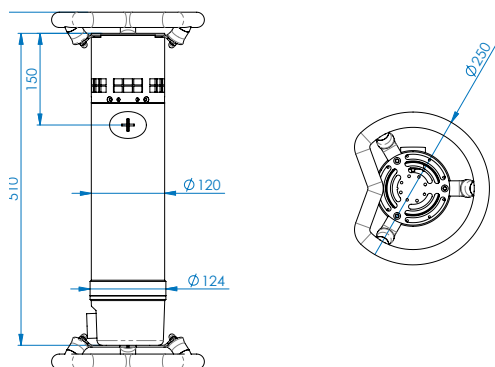
AUTO-CORRECTION
X-RAY BEAM

FEATURES

	Unit	SITEX D1802
BEAM	-	Directional
POWER SUPPLY	-	Mains
Output voltage range	kV	60 to 180
Tube current range	mA	1 to 3
Tube current at full output	mA	2.0
Maximum power at the anode	W	N.A.
Constant power mode	-	No
Working cycle at 30°C (*)	%	50
Steel penetration	mm/in	24 / 0.9 ***
Weight (excluding hand rings)	Kg/lbs	9.5 / 20.9
Overall dimensions	mm/in	Ø 250 x 573 / 9.8 x 22.6
Leakage dose at 1 m at full output	mSv/h	< 2.0
Optical focal spot according to EN 12543	mm/in	0.8 x 0.8 / 0.03 x 0.03
Maximum useful angle	°	60 x 40 elliptical
Inherent filtration	mm/in	Equiv. 3.5 / 0.1 (Al)
Waterproof level	-	IP65
Operating temperature	°C/F°	-25 to +70 / -13 to +158
Storage temperature	°C/F°	-40 to +80 / -40 to +176
Guard rings	-	2

(*) 700 mm FFD, 10 min, AA400, D=2 for CPD

DRAWINGS



SCU

	Unit	SCU 2.0
Supply voltage range	VAC	90 to 264
Supply frequency range	Hz	45 to 66
Maximum input power	kVA	2
Cos(phi) / power factor at full power 230Vac	-	0.98 / 0.98
Type of power supply	-	Mains, generator set, inverter
kV accuracy	%	± 0.5
mA accuracy	%	± 0.5
kV selection step	kV	1
mA selection step	mA	0.1
Time selection step	s	1
Timer range	min:sec	00:15 to 99:59
Operating weight	Kg/lbs	14.6 / 32.2
Overall size	mm³/in³	355/14 (W) x 157/6 (H) x 525/20.7 (D)
Operating temperature range	°C/F°	-25 to +55 / -13 to 131
Storage temperature range	°C/F°	-40 to +80 / -40 to 176
Ingress protection	-	IP65
System	-	Industrial PC boards
Control of mains voltage and frequency	-	Yes
Control of ambient temperature	-	Yes
Logging of shots history	-	Yes
Pre-warning time	s	3 to 99
Pilot light indicators	-	3 (green, red, yellow)
Independent START and STOP buttons	-	YES
Two positions safety key rotary switch	-	Standby - X-ray
Two position main rotary switch	-	Mains On-Off
Vacuum Fluorescent Display	Line x char.	2 x 20 with anti-reflection screen

ACCESSORIES



ALUCASE



FLASHING LIGHT



TRIPOD

All specifications are non contractual and subject to change without prior notice.

TELEDYNE ICM

Zoning Les Plenesses / Rue Du Progrès 3 / B-4821 Andrimont (Dison) - Belgium

+32 (0)87 44 01 50 / icm.sales@teledyne.com



TELEDYNE ICM
Everywhereyoulook™

Part of the Teledyne Imaging Group